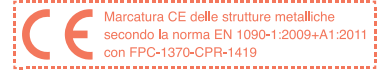




CMAlifts®

CMA S.r.l. S.P. 238 Km 11,728 Corato (BA)-Italy
TEL. +39 080.3588714 - FAX +39 080.8729113
INFO@CMALIFTS.COM - INFO@PEC.CMALIFTS.COM
CMALIFTS.COM



QUOTATION

ORDER

CLIENT _____

Ref. lift/system _____

N° Lift/System _____

Ref. CMA _____

DOORS-FRAMES, FRAME-SURROUNDS, LANDING DOORS

Tick the box below to choose a field, or to indicate the type of colour or material desired. Please, attach a copy of your project measures in mm.

LANDING DOOR-FRAMES

Frame + doors Doors + frame surrounds Door-Frame only Frame surrounds only Doors only

CENTRAL AUTOMATIC ACCESSES

Accesses Opposite Leaves Accesses Opposite Leaves Accesses Opposite Leaves n.

AUTOMATIC TELESCOPIC ACCESSES

Right/left door closing (view from the landing, standing opposite the doors)

2 Tele. leaves left n. right n.
 3 Tele. leaves left n. right n.

DOOR-FRAMES MEASUREMENTS

Door opening x

Left jamb measurements

Right jamb measurements

Architrave measurements

External frame size x

Landing Door Operator _____ Door Tracks _____ supplied by CMAlifts Overtravel

LANDING DOOR- FRAMES MATERIALS

Galvanised sheet Food steel AISI 316 type _____
 RAL colour _____ Scratch proof steel type _____
 Skinplate colour _____ Mirror polished steel
 Polished steel BA Coloured steel colour _____
 ScotchBrite Steel Decorated steel type _____
 Other _____

Landing operation panel _____ supplied by CMAlifts
Landing oper. panel materials _____ Buttons fitted on door frame

Recessed landing door Ground floor n. on leftside n. on rightside
frame jamb Other floors x n. on leftside n. on rightside

Top and bottom door frame anchorage brackets + bolts masonry steel shaft structure wall plugs

LANDING DOOR LEAF MATERIAL

LANDING DOORS

Full glass door leaf glass type bronze fumé clear StochBrite Steel
 Galvanised sheet Food steel AISI 316 type _____
 RAL colour _____ Scratch proof steel type _____
 Skinplate colour _____ Mirror polished steel
 Plastic laminate colour _____ Coloured steel colour _____
 Polished steel BA Decorated steel type _____
 Other _____ Wood (cladding) type _____

COMMERCIAL INFORMATION Cardboard packaging

Delivery time _____

Delivery Address _____

Transport _____

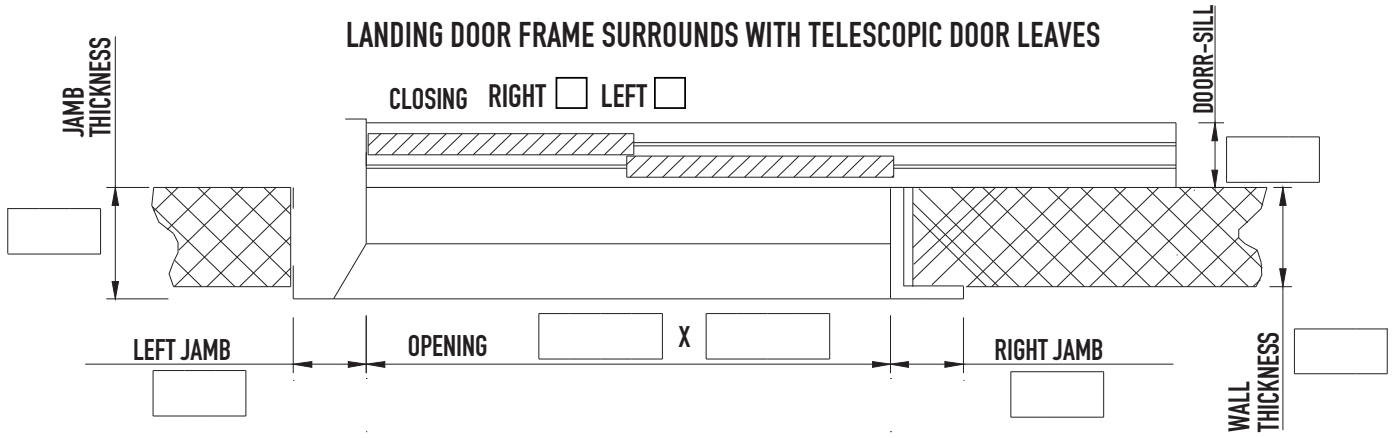
Note _____

Date _____

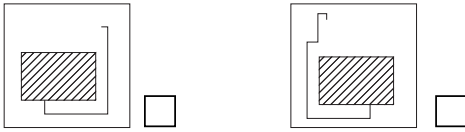
Authorising signature & company stamp

Please, fill in this form only for door frame surrounds specifications

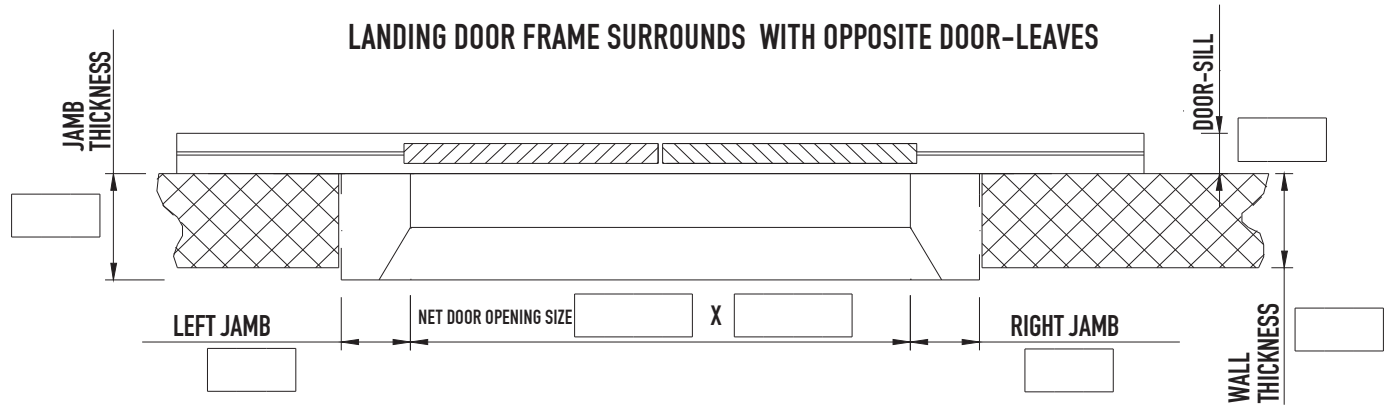
LANDING DOOR FRAME SURROUNDS WITH TELESCOPIC DOOR LEAVES



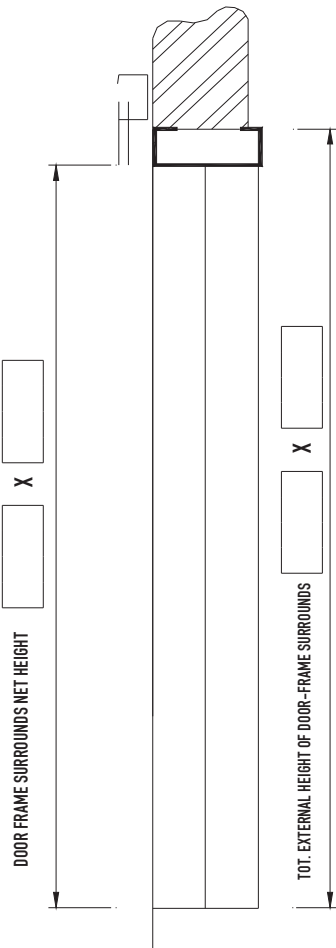
STRAIGHT DOOR-FRAME SURROUNDS



LANDING DOOR FRAME SURROUNDS WITH OPPOSITE DOOR-LEAVES



Notes _____



Date _____

Authorising signature & company stamp _____