



# CMAlifts®

C.M.A. S.r.l. | S.P. 238 km. 11,728 - 70033 Corato (BA) - Italy  
TEL. +39 080.3588714 - FAX +39 080.8729113  
INFO@CMALIFTS.COM - INFO@PEC.CMALIFTS.COM  
CMALIFTS.COM



## OFFER

## ORDER

CLIENT \_\_\_\_\_

Ref. Lift/System \_\_\_\_\_

N. Lift/System \_\_\_\_\_

Ref. CMA \_\_\_\_\_

### ADJUSTMENT KIT WITH BI-DIRECTIONAL SAFETY GEAR FOR EXISTING ELECTRICAL INSTALLATIONS

DBG \_\_\_\_\_ mm (max 1600 mm)

D \_\_\_\_\_ mm (distanza interna fra le traverse)

Pit \_\_\_\_\_ mm

LOAD [L] \_\_\_\_\_ kg

CAR WEIGHT \_\_\_\_\_ kg

CAR FRAME WEGHT \_\_\_\_\_ kg

OPERATOR WEIGHT \_\_\_\_\_ kg

Kit Simplex Weight \_\_\_\_\_ kg

Total W + L \_\_\_\_\_ kg

(W= Car Weight + Car Frame + Operator/s + Kit. L = Load)

Counterbalance weight \_\_\_\_\_ kg

Lift nominal speed Vn \_\_\_\_\_ m/s

Limiting device intervention speed Vi \_\_\_\_\_ m/s

Guide Rails \_\_\_\_\_ Guide rail \_\_\_\_\_ mm  
blade width (note: Standard 8/9)

Drawn

Wrought

Greased

Non-greased

#### OPTIONAL

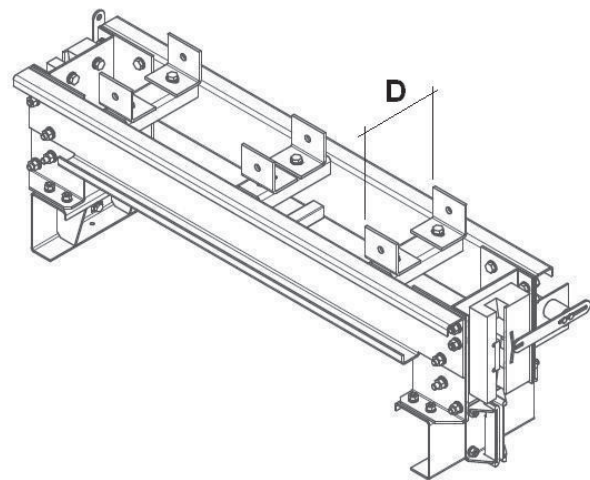
N° \_\_\_\_\_ Limiting device + Tension weight with pulley ø \_\_\_\_\_ mm

N° \_\_\_\_\_ Floor Central shock absorber

N° \_\_\_\_\_ Balusters for central shock absorber

N° \_\_\_\_\_ Balusters for lateral shock absorbers

N° \_\_\_\_\_ Shock absorber/s



#### COMMERCIAL INFORMATION

Order for supply of n° \_\_\_\_\_ of kits

Delivery time \_\_\_\_\_

Delivery Address \_\_\_\_\_

Transport \_\_\_\_\_

Note \_\_\_\_\_

Date \_\_\_\_\_

Stamp and signature for acceptance